



EXKO 73 1813 A

Technical data

Ex-main circuit breaker 63 A

Marking accd. to 2014/34/EU	Ⓢ II 2 G Ex de ia/ib [ia/ib] IIC T4 – T6 ¹⁾ Ⓢ II 2 D IP66 T80 °C / T95 °C / T130 °C	
EC-Type Examination Certificate	PTB 99 ATEX 1057	
IECEX Certificate of Conformity	IECEX PTB 12.0026	
Marking accd. to IECEx	Ex d IIC T6, T5 or T4 Gb / Ex de IIC T6, T5 or T4 Gb Ex d IIB T6, T5 or T4 Gb / Ex de IIB T6, T5 or T4 Gb	
Permissible ambient temperature	–20 °C up to +40 °C ²⁾	
Rated voltage	up to max. 690 V	
Rated current	max. 63 A	
Frequency	50/60 Hz	
Rated making/breaking capacity AC-3 accd. EN 60947-3	U _e 230 V / I _e 63 A U _e 400 V / I _e 63 A U _e 500 V / I _e 63 A U _e 690 V / I _e 63 A	
Back-up fuse	up to 400 V AC: 80 A gG up to 500 V AC: 80 A gG up to 690 V AC: 80 A gG	
Connecting terminals	main contact	2 x 35 mm ²
Protection class	I	
Degree of protection accd. to EN 60529	IP54 (Option IP65)	
Cable glands/enclosure drilling	M50 cable gland see ordering details	
Weight	3-pole 4-pole	approx. 17 kg approx. 18 kg
Enclosure material	aluminium, powder-coated polyester connection box steel, powder-coated	
Colour	Enclosure Cover	grey (RAL 7032) dark grey (RAL 7022)

¹⁾ Also available with Explosion Group IIB

²⁾ Other ambient temperatures on request

EXKO 7318 Ex-main circuit breakers 63 A



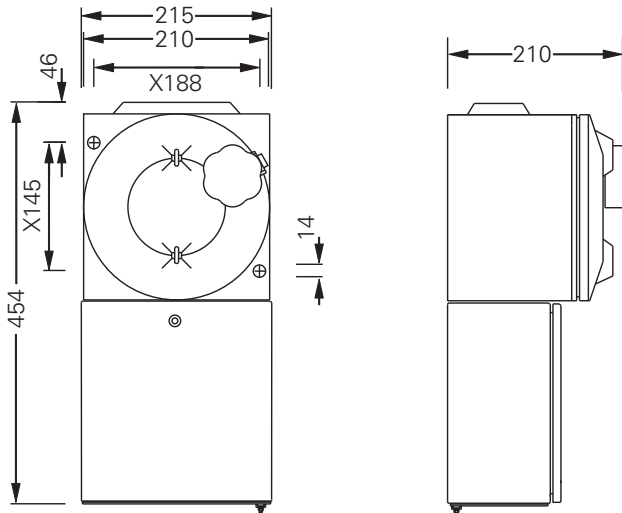
EXKO 73 1813 A

Ordering details

Content	Cable gland	Order No.
Ex-main circuit breaker 63 A		
3-pole	2 x M50	EXKO 73 1813 A0001
4-pole	2 x M50	EXKO 73 1814 A0001

Customized version on request

Dimension drawing



X = fixing dimensions