



Potentiometer

Technical data

Potentiometer Type 418 8131

	Complete certificate ¹⁾	Component certificate
Marking accd. to 2014/34/EU	II 2 G Ex de IIC T6	II 2 G Ex de IIC/IIB Gb I M2 Ex de I Mb
EC-Type Examination Certificate	PTB 99 ATEX 1034	IBExU 14 ATEX 1030 U
IECEX Certificate of Conformity		IECEX IBE 14.0005 U
Marking accd. to IECEx		Ex de IIC/IIB Gb Ex de I Mb
Operating temperature range	-55 °C up to + 80 °C	-45 °C up to +80 °C (IIC) -60 °C up to +80 °C (IIB)
Permissible ambient temperature	-55 °C up to + 50 °C	
Application temperature ²⁾		-45 °C up to +55 °C (IIC) -60 °C up to +55 °C (IIB)
Rated voltage	up to 250 V AC	up to 250 V AC
Power consumption (VA)	max. 1 W	max. 1 W
Resistance range	100 - 10000 Ω	100 - 10000 Ω
Tolerance	± 20 %	± 20 %
Connecting terminals	2 x 2.5 mm ²	2 x 2.5 mm ²
Degree of protection accd. to EN 60529	IP661)	IP00
Dimensions (L x W x H)	101 x 38 x 57 mm	150 x 38 x 57 mm
Weight	0.20 kg	0.15 kg
Type of mounting	Ø 30.3 mm fixing hole	Ø 30.3 mm fixing hole
Enclosure colour	grey	grey
Angle of rotation	270°	270°
Scale	0 - 100 %	0 - 100 %

¹⁾ with protective cover IP66

²⁾ The limits of the operating temperature range and the max. permissible temperature rise of the components have to be taken into account. See also pages 2.4.34/35.

Ex-potentiometer for panel mounting



Potentiometer

4 Ordering code for component (Code 2) - code A - B

Code	A	B
Order No.	GHG 481 8131 R00	—

Ordering code for component (Code 2) - code A - B

Code	Component	Code
A	Potentiometer	GHG 418 8131 R00
Code	Resistance	Code
C	0 - 100 Ohm	11
	0 - 220 Ohm	12
	0 - 470 Ohm	13
	0 - 1000 Ohm	14
	0 - 2200 Ohm	17
	0 - 4700 Ohm	15
	0 - 10000 Ohm	16

Example for ordering code (Code 2)

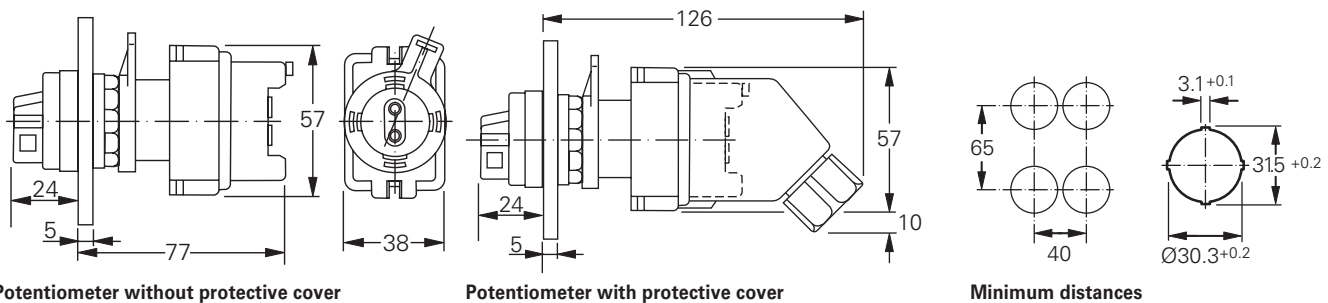
Content	Order No.	
	A	B
Potentiometer 1 W 25 % tolerance, without protective cover		
0 - 100 Ohm	GHG 418 8131 R00	11
0 - 470 Ohm	GHG 418 8131 R00	12
0 - 4700 Ohm	GHG 418 8131 R00	15

Accessories

Type	OU	Order No.
Protective cover to meet IP66	5	GHG 410 1939 R0002

Please pay attention that only order units (OU) according to the ordering details can be delivered.

Dimension drawing



Potentiometer without protective cover

Potentiometer with protective cover

Minimum distances

Dimensions in mm