

## Ex-control switch GHG 249 for panel mounting



Control switch GHG 249

### 4 Technical data

#### Control switch GHG 249

Marking accd. to 2014/34/EU	Ⓢ II 2 G Ex de IIC/IIB Gb Ⓢ II G Ex de ib [ia/ib] IIC/IIB Gb
EC-Type Examination Certificate	BVS 14 ATEX E 076 U <sup>1)</sup>
Operating temperature range	-45 °C up to +80 °C (IIC) -55 °C up to +80 °C (IIB)
Application temperature <sup>2)</sup>	-45 °C up to +80 °C (IIC) -55 °C up to +80 °C (IIB)
IECEX Certificate of Conformity	IECEX BVS 14.0047 U
Marking accd. to IECEx	Ex de IIC Gb Ex de IIB Gb
Rated voltage	up to 690 V AC
Rated current	up to 20 A
Rated current with gold contact points	up to 0.4 A
Rated making-/rated breaking capacity accd. EN 60947-5-1	AC-3: U <sub>e</sub> 230 V / I <sub>e</sub> 8 A U <sub>e</sub> 400 V / I <sub>e</sub> 6 A AC-11: U <sub>e</sub> 24 V / I <sub>e</sub> 6 A U <sub>e</sub> 230 V / I <sub>e</sub> 0.4 A
Connecting terminals	2 x 2.5 mm <sup>2</sup> flexibel, 6 mm <sup>2</sup> starr
Weight	0.55 kg
Type of mounting	Ø 30.3 mm fixing hole
Enclosure colour	grey

<sup>1)</sup> Must be installed in a certified enclosure

<sup>2)</sup> The limits of the operating temperature range and the max. permissible temperature rise of the components have to be taken into account. See also pages 2.4.34/35.



Control switch GHG 249

Ordering code for component (Code 2) Code A - B - C - D <sup>1)</sup>

Code	Component		Code	
<b>A</b>	Control switch GHG 249		249	
<b>Code</b>	<b>Switching system</b>		<b>Code</b>	
<b>B</b>	spring – engaging – spring		4	
	engaging – engaging – engaging		5	
	engaging – engaging		6	
	spring – engaging – engaging		7	
	engaging – engaging – spring		8	
<b>D</b>	<b>Contacts Silver contact points</b>	<b>Code</b>	<b>Contacts Silver contact points</b>	<b>Code</b>
		<b>019</b>		<b>037</b>
		<b>021</b>		<b>038</b>
		<b>024</b>		<b>039</b>
		<b>033</b>		<b>049</b>
<b>Code</b>	<b>Inscription (labels)</b>	<b>Code</b>	<b>Inscription (labels)</b>	<b>Code</b>
<b>E</b>	0	I	01 0 I II	18
	I	II	02 AUS AUTO EIN	19
	STOP	START	03 AUS HAND AUTO	20
	HAND	AUTO	04 ÖRTLICH AUS FERN	21
	SENKEN	HEBEN	05 START NORMAL STOP	22
	REMOTE	LOCAL	06 OFF 0 ON	23
	I 0	II	07 HAND OFF AUTO	24
	AUS BETRIEB	EIN	08 0 IN START	25
	AUS 0	EIN	09 MAN AUTO	26
	AUF 0	AB	10 START STOP	27
	Enriegelt 0	Verriegelt	11 HEBEN SENKEN	28
	OUT OF	HAND	12 OFF ON	29
	LOCAL REMOTE	AUTO	13 AUS EIN	30
	STOP 0	START	14 HAND AUTO	31
	HAND 0	AUTO	15 ON OFF	32
	AUF AUS	ZU	16 I II III	33

Versions with gold contact points are available on request.

<sup>1)</sup> The code will represent only a selected part of configuration.

## Ex-control switch GHG 249 for panel mounting

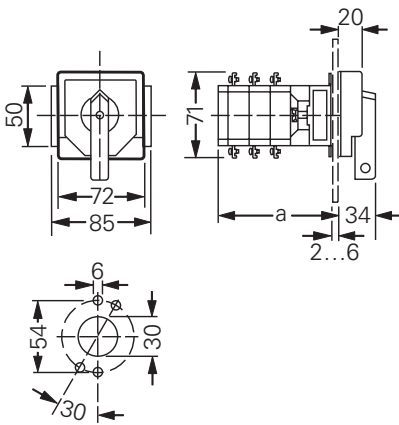


Control switch GHG 249

### 4 Example for ordering code (Code 2)

Content A	Switching system	Code B	Contact	Code C	Label	Code D	Order code
GHG 249		6		019	0 - I	01	GHG 249 0004 R0056
GHG 249		6		037	STOP - 0 - START	14	GHG 249 0004 R0039
GHG 249		6		033	I - II	02	GHG 249 0004 R0084

### Dimension drawing



<b>Control switch with</b>	<b>dimension a</b>
1 switch compartment	63 mm
2 switch compartments	81 mm
3 switch compartments	99 mm