



19-inch compact enclosure **RSC IP 66**

19-inch compact outdoor enclosure **SZC IP 55**

RSC and SZC – are small wall-mounted or floor-standing enclosures characterized by factory-installed 19-inch rack. RSC is a monoblock enclosure dedicated for indoor applications and SZC is an enclosure with a roof, characterized by high corrosion protection properties for use in outdoor conditions. The standard offer includes 21 dimensions. Tables with catalogue numbers are available on the following pages of the catalogue.



Download product data sheet!

| Type   | Corrosivity category | Material / additional description | Coating |
|--------|----------------------|-----------------------------------|---------|
| RSC    | C2                   | steel sheet                       | RAL7035 |
| SZC    | C3                   | galvanized steel sheet            | RAL7035 |
| SZC-MG | C4                   | magnelis sheet                    | RAL7035 |

#### General information:

- Ingress protection according to IP code: 66/55
- Impact resistance according to IK code: 10
- Operating temperature range: -30 – +80°C

#### Basic data:

- Body: RSC – monobloc type, welded; SZC – with roof slope
- Closure: hinged door with 105° opening angle; the possibility of independent change of the door opening direction; enclosures up to 500 mm height have one D5 type lock whereas higher enclosures have two locks of the same type
- 19 inch rack: single, perforated, made of 2 mm thick galvanized steel sheet, adjustable on the depth of the enclosure
- Cable entry: there is a gland plate in the bottom, its dimensions depend on the width of the enclosure
- Grounding: threaded grounding studs in the door and enclosure body
- Other information: The door has an internal stiffening made of perforated z-bars to facilitate mounting of additional elements.

| Description                     | Page    |
|---------------------------------|---------|
| Locks                           | 90      |
| Mounting plates                 | 95      |
| Vertical beams                  | 100-101 |
| Modular constructions           | 102-103 |
| Internal doors                  | 106-107 |
| Plinths                         | 115     |
| Reinforced concrete foundations | 129     |
| Cable entry                     | 119-121 |
| Heaters                         | 130     |
| Ventilation                     | 81      |
| Heaters                         | 82-83   |
| Air conditioners                | 85-89   |

#### Additional options:

- Thermal insulation
- Increasing the operating temperature to range of -50 to +120°C
- Unusual dimensions
- Punching in the door, body or mounting plate
- Painting to any color according to the RAL palette

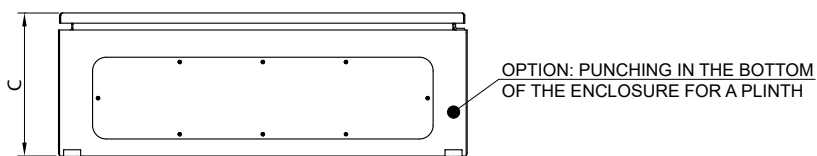
The technical documentation is available on pages 156-159

| No. | Description<br>(Rack Unit height - W × H × D mm) | Catalogue No.<br>RSC | Catalogue No.<br>SZC | Catalogue No.<br>SZC-MG |
|-----|--|----------------------|----------------------|-------------------------|
| 1   | 5U - 600 × 300 × 400                             | 190-001              | 191-001              | 191-101                 |
| 2   | 7U - 600 × 400 × 400                             | 190-002              | 191-002              | 191-102                 |
| 3   | 9U - 600 × 500 × 400                             | 190-003              | 191-003              | 191-103                 |
| 4   | 12U - 600 × 600 × 400                            | 190-004              | 191-004              | 191-104                 |
| 5   | 16U - 600 × 800 × 400                            | 190-005              | 191-005              | 191-105                 |
| 6   | 21U - 600 × 1000 × 400                           | 190-006              | 191-006              | 191-106                 |
| 7   | 25U - 600 × 1200 × 400                           | 190-007              | 191-007              | 191-107                 |
| 8   | 5U - 600 × 300 × 500                             | 190-008              | 191-008              | 191-108                 |
| 9   | 7U - 600 × 400 × 500                             | 190-009              | 191-009              | 191-109                 |
| 10  | 9U - 600 × 500 × 500                             | 190-010              | 191-010              | 191-110                 |
| 11  | 12U - 600 × 600 × 500                            | 190-011              | 191-011              | 191-111                 |
| 12  | 16U - 600 × 800 × 500                            | 190-012              | 191-012              | 191-112                 |
| 13  | 21U - 600 × 1000 × 500                           | 190-013              | 191-013              | 191-113                 |
| 14  | 25U - 600 × 1200 × 500                           | 190-014              | 191-014              | 191-114                 |
| 15  | 5U - 600 × 300 × 600                             | 190-015              | 191-015              | 191-115                 |
| 16  | 7U - 600 × 400 × 600                             | 190-016              | 191-016              | 191-116                 |
| 17  | 9U - 600 × 500 × 600                             | 190-017              | 191-017              | 191-117                 |
| 18  | 12U - 600 × 600 × 600                            | 190-018              | 191-018              | 191-118                 |
| 19  | 16U - 600 × 800 × 600                            | 190-019              | 191-019              | 191-119                 |
| 20  | 21U - 600 × 1000 × 600                           | 190-020              | 191-020              | 191-120                 |
| 21  | 25U - 600 × 1200 × 600                           | 190-021              | 191-021              | 191-121                 |
| 22  | 5U - 800 × 300 × 400                             | 190-022              | 191-022              | 191-122                 |
| 23  | 7U - 800 × 400 × 400                             | 190-023              | 191-023              | 191-123                 |
| 24  | 9U - 800 × 500 × 400                             | 190-024              | 191-024              | 191-124                 |
| 25  | 12U - 800 × 600 × 400                            | 190-025              | 191-025              | 191-125                 |
| 26  | 16U - 800 × 800 × 400                            | 190-026              | 191-026              | 191-126                 |
| 27  | 21U - 800 × 1000 × 400                           | 190-027              | 191-027              | 191-127                 |
| 28  | 25U - 800 × 1200 × 400                           | 190-028              | 191-028              | 191-128                 |
| 29  | 5U - 800 × 300 × 500                             | 190-029              | 191-029              | 191-129                 |
| 30  | 7U - 800 × 400 × 500                             | 190-030              | 191-030              | 191-130                 |
| 31  | 9U - 800 × 500 × 500                             | 190-031              | 191-031              | 191-131                 |
| 32  | 12U - 800 × 600 × 500                            | 190-032              | 191-032              | 191-132                 |
| 33  | 16U - 800 × 800 × 500                            | 190-033              | 191-033              | 191-133                 |
| 34  | 21U - 800 × 1000 × 500                           | 190-034              | 191-034              | 191-134                 |
| 35  | 25U - 800 × 1200 × 500                           | 190-035              | 191-035              | 191-135                 |
| 36  | 5U - 800 × 300 × 600                             | 190-036              | 191-036              | 191-136                 |
| 37  | 7U - 800 × 400 × 600                             | 190-037              | 191-037              | 191-137                 |
| 38  | 9U - 800 × 500 × 600                             | 190-038              | 191-038              | 191-138                 |
| 39  | 12U - 800 × 600 × 600                            | 190-039              | 191-039              | 191-139                 |
| 40  | 16U - 800 × 800 × 600                            | 190-040              | 191-040              | 191-140                 |
| 41  | 21U - 800 × 1000 × 600                           | 190-041              | 191-041              | 191-141                 |
| 42  | 25U - 800 × 1200 × 600                           | 190-042              | 191-042              | 191-142                 |

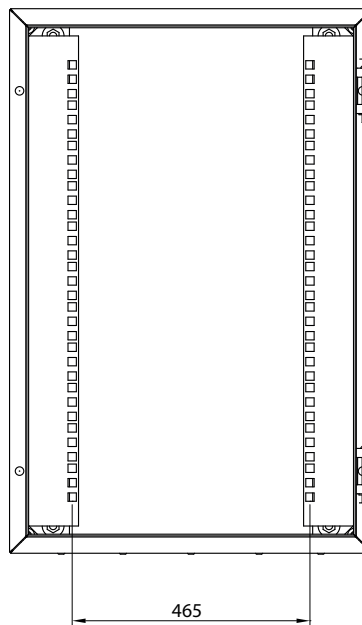
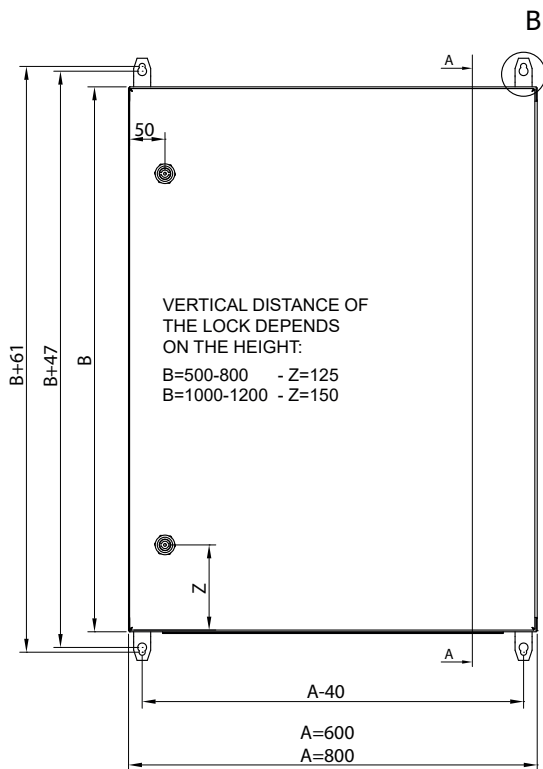
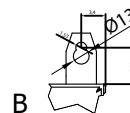


**RSC  
SZC**

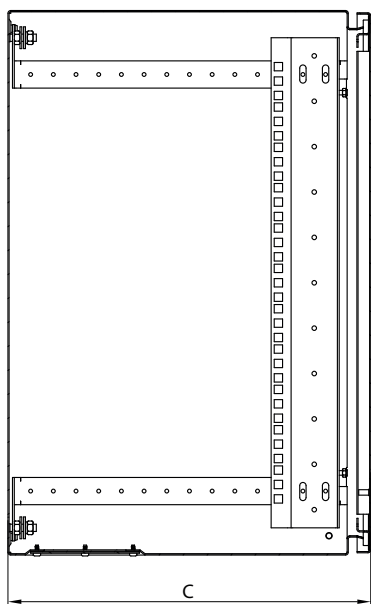
Scope of delivery:  
Assembled enclosure with a single rack and a key.



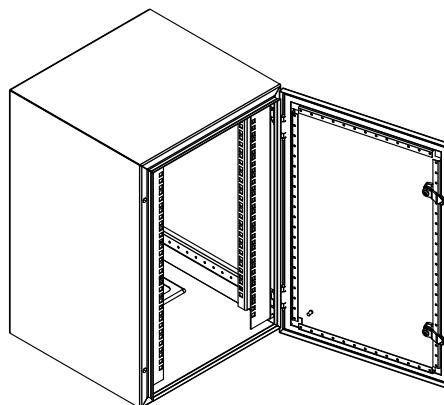
WALL BRACKET



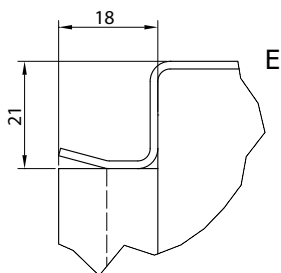
FOR A=800 19" VERTICAL BEAMS MOUNTED ON EXTENSION ARMS



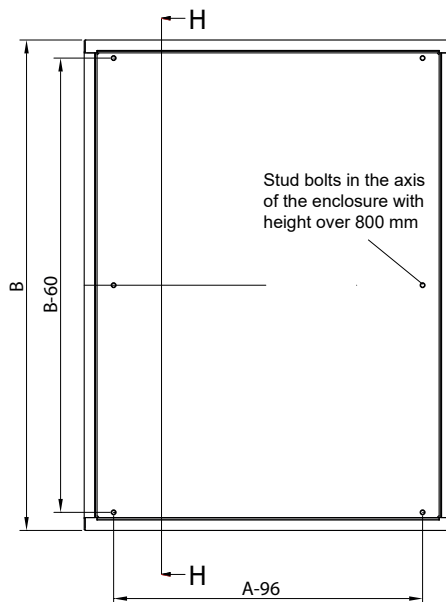
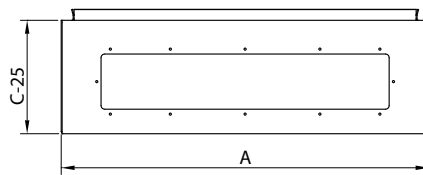
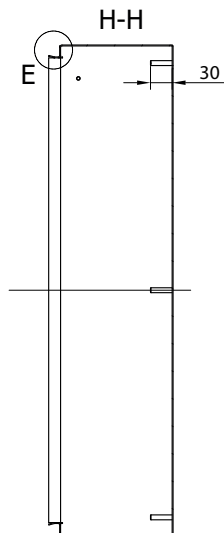
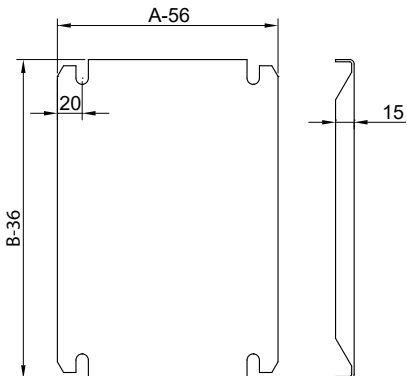
RSA ENCLOSURE EQUIPPED WITH 19" BEAMS MOUNTED ON WGR



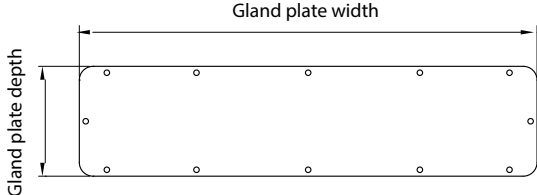
BENDING PROFILE



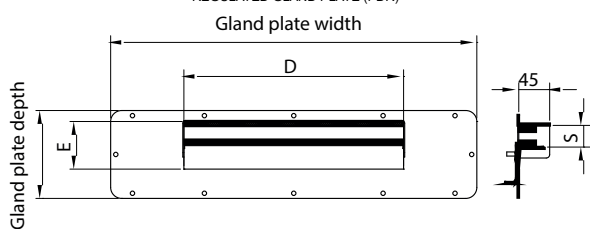
MOUNTING PLATE



Gland plate width



REGULATED GLAND PLATE (PDR)



BOTTOM VIEW OF THE PLINTH

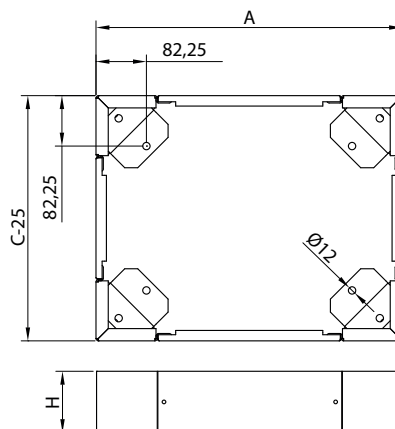
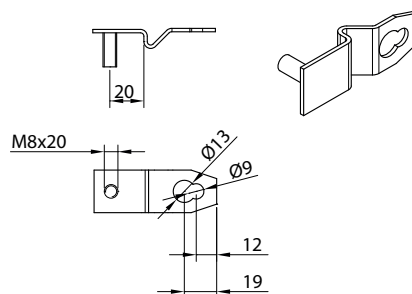
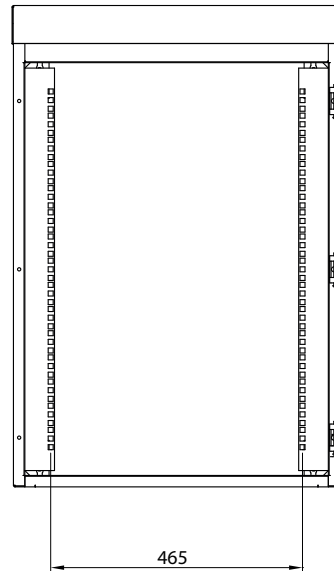
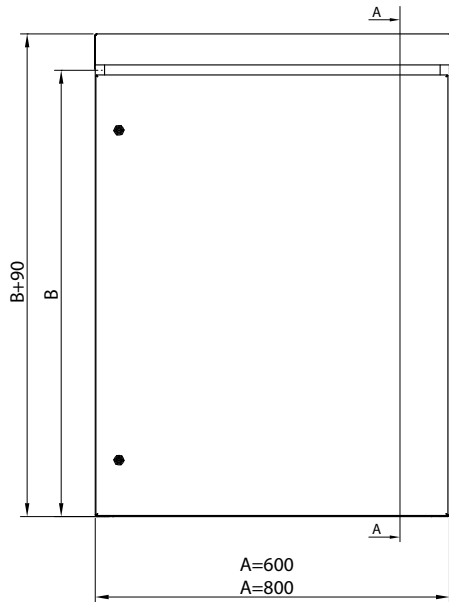
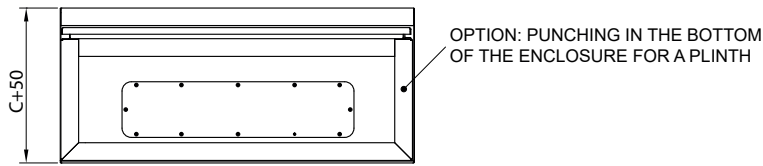


TABLE FOR THE SELECTION OF PDR GLAND PLATES

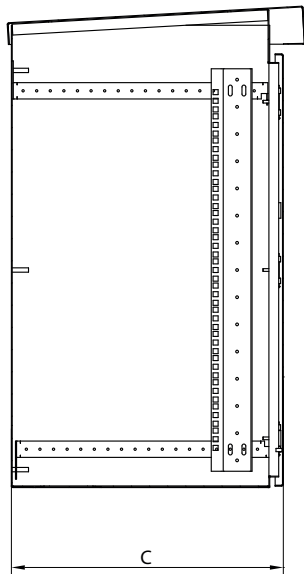
| Enclosure | Gland plate |       | S   |     | D  | E   | Gland plate type |
|-----------|-------------|-------|-----|-----|----|-----|------------------|
|           | Width       | Depth | Min | Max |    |     |                  |
| 600       | 150         | -     | -   | -   | -  | -   | -                |
|           | 210         | 500   | 120 | 18  | 55 | 300 | 65               |
|           | 250         |       |     |     |    |     |                  |
|           | 300         |       |     |     |    |     |                  |
| 800       | 150         | -     | -   | -   | -  | -   | -                |
|           | 210         | 700   | 140 | 18  | 55 | 400 | 65               |
|           | 250         |       |     |     |    |     |                  |
|           | 300         |       |     |     |    |     |                  |

WALL BRACKET UN-1  
4 PCS FOR 1 ENCLOSURE

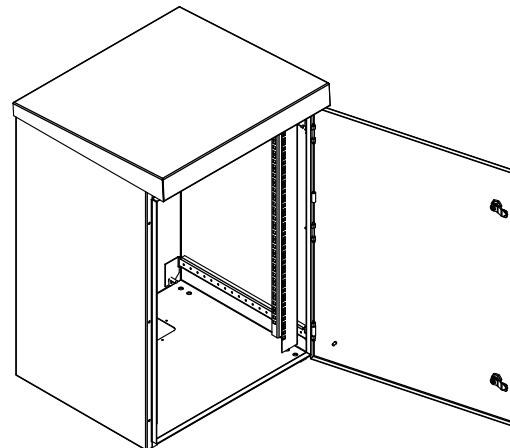


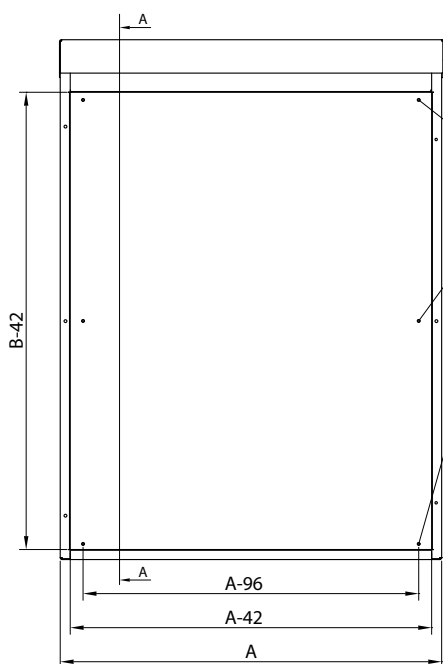
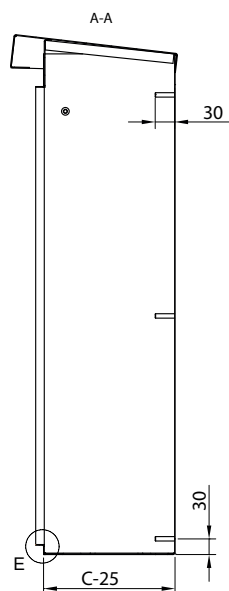
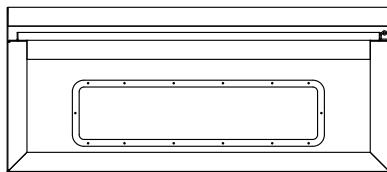
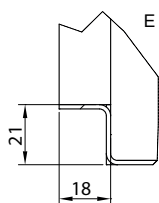


FOR A=800 19" VERTICAL BEAMS MOUNTED ON EXTENSION ARMS



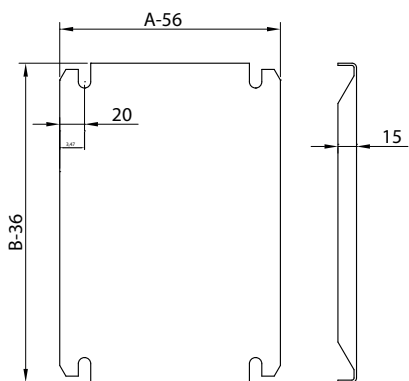
SZA ENCLOSURE EQUIPPED WITH 19" BEAMS MOUNTED ON WGR



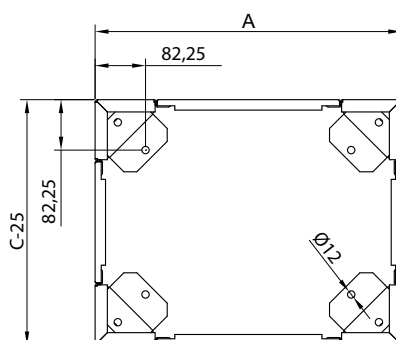


BOLTS FOR MOUNTING  
PLATE LOCATED  
ACCORDING TO THE RSA  
ENCLOSURE SPACINGS

MOUNTING PLATE



BOTTOM VIEW OF THE PLINTH



SELECT GLAND PLATES ACCORDING  
TO THE RSA GLAND PLATES TABLE

FULL GLAND PLATE  
Gland plate width

