

SKINTOP[®] MS M ATEX

HOME > CATEGORIES > CABLE GLANDS EX > ATEX ZONE > SKINTOP[®] MS-M ATEX

SKINTOP[®] MS-M ATEX, antistatic, brass cable gland, resistant to sudden temperature drops, maximum reliability, for explosion hazard zones.

BENEFITS

- Resistance to sudden temperature drops
- Great protection against pulling out, relief
- Significant, varying clamping ranges
- High reliability

SCOPE OF APPLICATION

- Devices, machines and installation with enhanced type “e” protection
- Group of devices II / category 2G + 1 D
- Portable maritime and naval applications
- Chemical and petrochemical industry

PRODUCT FEATURES

- SKINTOP[®] MS-M-XL ATEX resembles SKINTOP[®] MS-M ATEX, however it has a long connecting thread for thick walls

STANDARDS AND APPROVALS

- UL File No. E79903

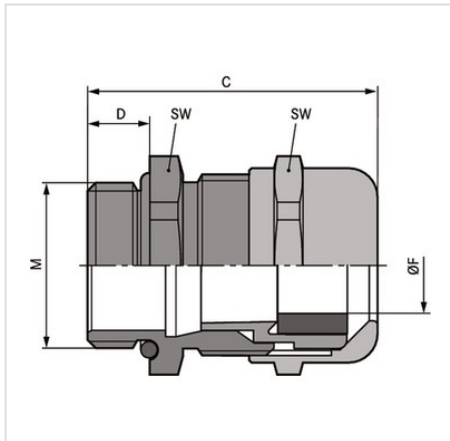
PRODUCT DESIGN

- Metric connecting thread acc. to DIN EN 60423
- Basic technical information DIN IEC 62444

NOTE

- Matching accessories, see SKINTOP[®] SDV-M ATEX

GALERIA PRODUKTU WRAZ Z PRZYKŁADOWYMI REALIZACJAMI



SKINTOP MS-M ATEX

No.	Length of thread [mm]	Identification of product / size	Range of gland diameters ØF [mm]	Size of key ID [mm]	Length total C [mm]	Catalogue No
1	6,5	M 12 x 1,5	3.0 - 7.0	16	26.5	53112700
2	7	M 16 x 1,5	4.5 - 10.0	20	26.5	53112710
3	8,5	M 20 x 1,5	7.0 - 13.0	24	37.0	53112720
4	8	M 25 x 1,5	9.0 - 17.0	29	38.5	53112730
5	9	M 32 x 1,5	11.0 - 21.0	36	45.5	53112740
6	9	M 40 x 1,5	19.0 - 28.0	45	48.0	53112750
7	10	M 50 x 1,5	26.0 - 35.0	54	48.0	53112760
8	15	M 50 x 1,5	34.0 - 45.0	67	67.0	53112770
9	15	M 63 x 1,5 plus	44.0 - 55.0	75	65.5	53112779

SKINTOP MS-M-XL ATEX

No.	Length of thread [mm]	Identification of product / size	Range of gland diameters ØF [mm]	Size of key ID [mm]	Length total C [mm]	Catalogue No
1	12	M 12 x 1,5	3.0 - 7.0	16	26.0	53112800
2	12	M 16 x 1,5	4.5 - 10.0	20	33.0	53112810
3	12	M 20 x 1,5	7.0 - 13.0	24	37.0	53112820
4	12	M 25 x 1,5	9.0 - 17.0	29	38.5	53112830
5	15	M 32 x 1,5	11.0 - 21.0	36	45.5	53112840
6	15	M 40 x 1,5	19.0 - 28.0	45	48.0	53112850
7	15	M 50 x 1,5	26.0 - 35.0	54	55.5	53112860