

MBC PK - Base with cassette

HOME > CATEGORIES > CONTROL CONSOLES > MBC-PK - BASE WITH CASSETTE

MBC-PK - Vertical console base assembly module. Provides a base on which the screen panel is positioned and the desktop is attached. The height can be adjusted with an optional plinth. The base comes in two depth versions, which are defined as: STANDARD, FAT and in four versions for free-standing or bayed placement. The leading colour of the base is RAL7015 and the ventilation covers RAL2004.

Type	Corrosivity class	Material / additional description	Coating
MBC-PK-Z	C2	sheet steel	RAL7015
MBC-PK-Z-OH	C4	stainless steel 1.4301 (AISI 304)	RAL7015
MBC-PK-Z-KO	C5	stainless steel 1.4404 (AISI 316L)	RAL7015

GENERAL INFORMATION:

- Szczelność wg kodu IP: 20
- Odporność na uderzenia wg kodu IK: 10
- Zakres temperatury pracy: od -20 do +80 °C

DEPTH TYPES:

- STANDARD - 500 mm
- FAT - 700 mm

TYPES OF SETTING TYPES:

- MBC-PK-Z - Base with cassette, free-standing, closed sides
- MBC-PK-W - Base with cassette, internal for serial connection, open sides
- MBC-PK-ZL - Base with cassette, leftmost for closing the row, left side closed
- MBC-PK-ZP - Base with cassette, rightmost, for closing a row, right side closed

BASIC DATA:

- Construction: welded
- Closure: cassette slides out on telescopic guides

- Internal equipment: two shelves made of galvanized sheet metal, adjustable height
- Cable entry: open space at the bottom
- Grounding: There are threaded grounding studs in the cover and base body

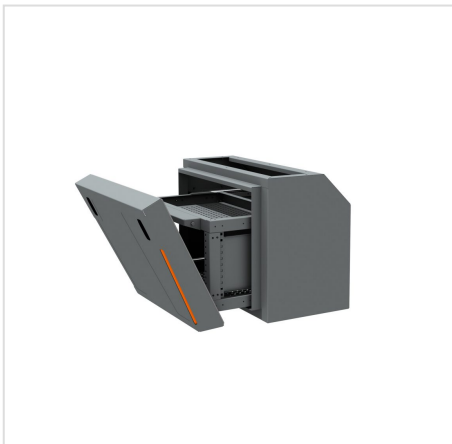
ADDITIONAL OPTIONS:

- Various color options for highlights
- Installation on vibration isolators
- **EMC**

version

- Increased tightness to **IP 66**
- Increase in operating temperature in the range from **-50** to **+120 °C**
- Atypical dimensions
- Hole in the cover, body or mounting plate
- Painting in any color according to the RAL palette

GALERIA PRODUKTU WRAZ Z PRZYKŁADOWYMI REALIZACJAMI



MBC-PK-Z - Base with cassette, free-standing, closed sides

No.	Dimensions (W × H × D, mm)	Type	Catalogue number MBC-PK-Z	Catalogue number MBC-PK-Z-OH	Catalogue number MBC-PK-Z-OH
1	600 × 585 × 500	STANDARD	702-001	702-101	702-201
2	800 × 585 × 500	STANDARD	702-002	702-102	702-202
3	1000 × 585 × 500	STANDARD	702-003	702-103	702-203
4	600 × 585 × 700	FAT	702-004	702-104	702-204
5	800 × 585 × 700	FAT	702-005	702-105	702-205
6	1000 × 585 × 700	FAT	702-006	702-106	702-206

MBC-PK-W - Base with tray, internal, open sides

No.	Dimensions (W × H × D, mm)	Type	Catalogue number MBC-PK-W	Catalogue number MBC-PK-W-OH	Catalogue number MBC-PK-W-KO
1	600 × 585 × 500	STANDARD	702-007	702-107	702-207
2	800 × 585 × 500	STANDARD	702-008	702-108	702-208
3	1000 × 585 × 500	STANDARD	702-009	702-109	702-209
4	600 × 585 × 700	FAT	702-010	702-110	702-210
5	800 × 585 × 700	FAT	702-011	702-111	702-211
6	1000 × 585 × 700	FAT	702-012	702-112	702-212