

BRASS SOCKETS EX

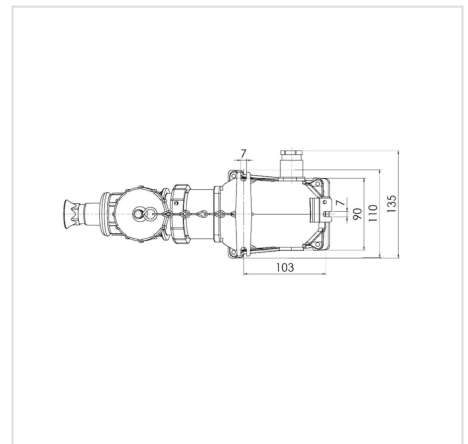
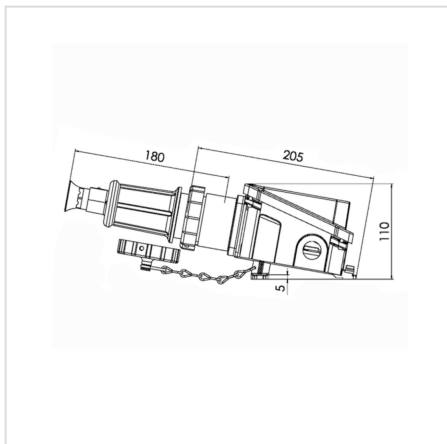
HOME > CATEGORIES > SOCKETS AND PLUGS EX > ATEX ZONE > BRASS SOCKETS EX

The 2P-PE brass wall-mounted sockets are designed for use in hazardous areas. Their robust construction and high IP66 rating provide protection against dust, water and extreme weather conditions. The product is ATEX and IECEx certified, guaranteeing compliance with international safety standards. These sockets are ideal for use in chemical, petrochemical, gas and other demanding environments.

TECHNICAL DATA

- **Marking:** II 2 D Ex tb IIIC T65°C Db, II 2 G Ex de IIC T6...T5 Gb
- **Certificates:** TÜV 14 ATEX 7565X, IECEx TUR 15.0018X
- **Zones of application:** Zone 1 (gas hazard), zone 21 (dust hazard)
- **Degree of protection:** IP66
- **Operating temperature range:** -40°C to +40°C
- **Contact configuration:** 2P-PE (two poles + earth)
- **Rated current:** 16A
- **Housing material:** Brass

GALERIA PRODUKTU WRAZ Z PRZYKŁADOWYMI REALIZACJAMI



BRASS SOCKETS EX

No.	Type	Connection thread	Voltage	Catalogue number
1	Ex-5516/L/6h/1x24-Z14	M 24 x 1,5	250 V	10030760
2	Ex-5516/R/6h/1x24-Z14	M 24 x 1,5	250 V	10030761
3	Ex-5516/R/4h/1x24-Z14	M 24 x 1,5	130 V	10030773
4	Ex-5516/D/6h/2x24-Z14	M 24 x 1,5	250 V	10030762
5	Ex-5516/D/4h/2x24-Z14	M 24 x 1,5	130 V	10030765

